

**753**  
G-SERIES  
SKID-STEER LOADER



Left Side Standard Instrument Panel



Right Side Standard Instrument Panel



Optional Deluxe Instrument Panel

*One Tough Animal*

# SPECIFICATIONS

## Performance

Rated Operating Capacity<sup>1</sup>  
 ROC with optional counterweight  
 Tipping Load  
 Hydraulic Pump Capacity  
 Travel Speed  
 Operating Weight

## 753

1300 lb. (590 kg)  
 1400 lb. (635 kg)  
 2600 lb. (1179 kg)  
 14.3 GPM (54 L/min)  
 6.6 MPH (10.6 km/hr.)  
 4740 lb. (2150 kg)

## Dimensions

Length (with bucket)  
 Width (with bucket)  
 Height  
 Height to Bucket Pin

120.5 in. (3059 mm)  
 55.0 in. (1398 mm)  
 77.0 in. (1956 mm)  
 109.1 in. (2771 mm)

## Engine

Make/Model  
 Fuel/Cooling  
 Cylinders  
 SAE NET HP/Displacement  
 Fuel Tank Capacity

Kubota/V2203-EB  
 Diesel/Liquid  
 4  
 43.5 /134 in.<sup>3</sup> (2,2 L)  
 14 gal. (53 L)

## Operation

Steering and Drive  
 Hydraulics

Forward, reverse, travel speed and steering controlled by two hand levers.  
 Raise/lower lift arms and dump/rollback bucket controlled by two foot pedals or optional hand controls.  
 Hydrostatic, four-wheel drive.

Transmission

## Standard Features

Adjustable Cushion Seat	Front Auxiliary Hydraulics	Seat Belt
Automatically Activated Glow Plugs	Front & Rear Lights	Spark Arrestor Muffler
Bobcat Interlock Control System (BICS™)	Lift Arm Support	7.00-15 Standard Tires
Bob-Tach	Meters/Gauges/Warning Lights	
Dual Path Cooling System	Operator Cab	
Engine/Hydraulic Shutdown	Parking Brake	
	Seat Bar	

## Options/Accessories

Advanced Control System (ACS)	Flasher/Strobe Lights	Side Windows
Advanced Hand Controls	Flotation Tires	Skid-Steer Loader Operator Training Kit
Attachment Control Kit	Horn	Solid Tires
Backup Alarm	Hydraulic Bucket Positioning <sup>2</sup>	Sound Package
Bobcat Heavy-Duty Tires	Keyless Start System	Special Applications Kit <sup>3</sup>
Catalytic Purifier	Rear Auxiliary Hydraulics	Suspension Seat (Vinyl or Cloth Cover)
Counterweight Kit	Rear Stabilizer	Top & Rear Windows
Deluxe Cab	Segmented Tires	Ultra Grip Tires
Deluxe Cab w/Heater	Service Safety Training Kit	Water Kit
Deluxe Instrumentation		

## Bobcat Attachments

Angle Broom*	Front Scarifier	Sweeper
Auger	Grader*	Three Point Hitch
Backhoe	Hydraulic Breaker <sup>4</sup>	Tiller
Brushcat™ Rotary Cutter	Hydraulic Pallet Forks	Tilt-Tatch
Buckets	Industrial Grapple	Tracks
Chipper*	Landplane	Tree Spade
Combination Bucket	Landscape Rake	Trench Compactor
Concrete Mixer*	Pallet Forks	Trencher
Cutter Crusher	Planer*	Utility Forks
Digger	Rear Stabilizer	Vibratory Roller
Dozer Blade*	Snow Blade	Whisker Push Broom
Dumping Hopper	Snowblower*	
Ejector Bucket	Sod Layer*	
Farm Grapple (for use with utility forks or bucket)	Soil Conditioner*	
	Super Scraper	

\* Attachment Control Kit Required.

## The Attractively Priced Bobcat 753 Skid-Steer Loader

The 753 is a smart way to move into the popular G-Series Bobcat line of skid-steer loaders. The machine offers top value for your money. It has a turning radius of 6 feet and a rated operating capacity of 1300 pounds along with features such as heavy-duty drive chains that never need adjustment, removable axle hubs for quick, easy servicing and a dual-path cooling system that cools with debris-free air. The 753 also works with all the same attachments as the other 700 G-Series models, and sells for a very attractive price.

## The Multi-Purpose Bobcat 753 Skid-Steer Loader

A hard-working skid-steer loader, with lots of maneuverability and great all-around performance and productivity. The 753 is loaded with time-saving, money-saving features. Here are just a few:

- Great balance of power and maneuverability.
- Choice of seven bucket styles and more than 30 other attachments.
- Bobcat Interlock Control System (BICS)™ is standard.
- Operator friendly cab.

### Greater Comfort

The new cab is designed with the operator in mind, for optimum comfort and functionality. And with its wider opening, it's easy to enter and exit.

The new seat bar pivots from the rear, providing secondary restraint protection as well as a comfortable armrest for operators of all sizes. Plus, the new worklight design doubles the amount of illumination to the work area for better operation in low light.

The 753 G-Series also features a new, easy-to-read, highly functional instrument panel, along with a number of improved comfort options.

**1300 LB.**  
*Rated Operating Capacity*  
 1400 lb. with optional counterweight kit

**109.1 IN.**  
*Lift Height*

**43.5 HP**  
*Liquid-Cooled Diesel Engine*

### Optional G-Series Deluxe Instrumentation Package includes:

- Multi-language capability
- System diagnostic capability
- All gauges read in metric or English units
- Keyless start security
- Job clock
- Real-time clock
- Help screens

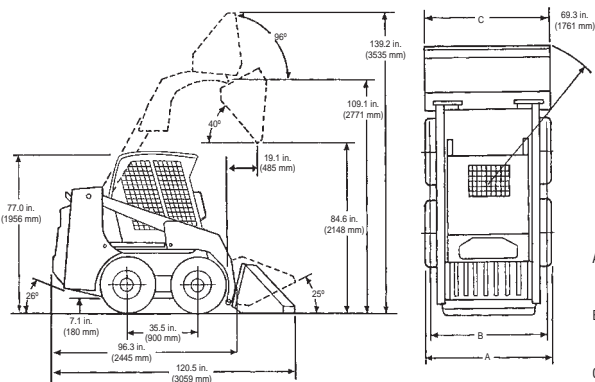
NOTE — Where applicable, dimensions are in accordance with Society of Automotive Engineers (SAE) and ISO standards. Specifications and design are subject to change without notice. Pictures of Bobcat loaders may show other than standard equipment. All dimensions are given for loader equipped with standard tires. All dimensions are shown in inches. Respective metric dimensions are enclosed by parentheses. Bobcat Company complies with the requirements of ISO 9001 as registered with BSI.

<sup>1</sup> Operating capacity rated with standard digging bucket according to SAE standard J818 - OPERATING CAPACITY TO EQUAL NO MORE THAN ONE-HALF THE TIPPING LOAD.

<sup>2</sup> Bucket positioning helps operator keep the same tilt of the load during lifting.

<sup>3</sup> Includes Lexan front door, top and rear windows.

<sup>4</sup> Special application kit (see #3) must be used.



A - 7.00-15 Tires - 53.8 in. (1366 mm)  
 10-16.5 Tires - 60.3 in. (1524 mm) or 54 in. (1372 mm)  
 6.50-16 Solid Tires - 54 in. (1372 mm)

B - 7.00-15 Tires - 45.4 in. (1154 mm)  
 10-16.5 Tires - 50.3 in. (1278 mm) or 44 in. (1118 mm)  
 6.50-16 Solid Tires - 47.5 in. (1198 mm)

C - 54 in. Bucket Width - 55.0 in. (1398 mm)  
 62 in. Bucket Width - 62.0 in. (1575 mm)

